

Titan Box

Surface Mounted

Type	Downlight
Mounting	Surface Mounted
Material	Aluminium
Adjustability	Cardanic/Gimble
EL. class / IP	Class I / IP20

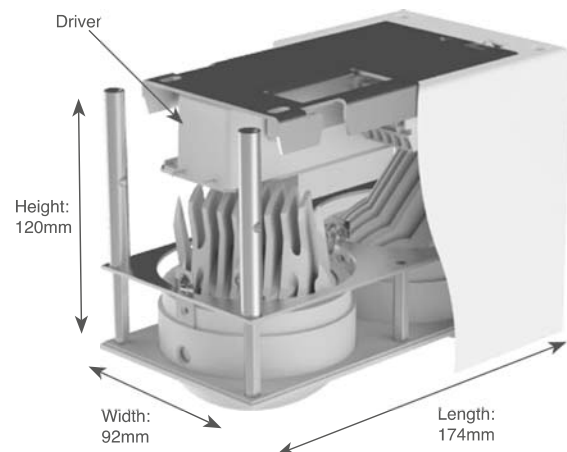
Bridgelux Vero 10 LED

LED Modules included

Driver included

CCT	2700K / 3000K 4000K on request
CRI	Ra80 / Ra90
Luminous flux	2700K - Ra90: 910lm (94lm/W) 3000K - Ra90: 950lm (99lm/W)
Beam angle	28° / 40°
Power	9.3W
Current	350mA
Forward voltage	23.4V (min.) - 26.5V (typ.) - 29.4V (max.)
Cooling	Passive (no fan)
SDCM	3
5 Year Bridgelux Warranty ⁽¹⁾	

⁽¹⁾ Limited warranty. More information on p.210





Titan Box Surface Mounted Cone

- 2x Bridgelux LED (350mA) - non dimmable**
 (2x) 2700K - Ra90 - 9.3W - 910lm 1406.AA.24.927.xx
 (2x) 3000K - Ra90 - 9.3W - 950lm 1406.AA.24.930.xx
- 2x Bridgelux LED (350mA) - 1-10V dimmable**
 (2x) 2700K - Ra90 - 9.3W - 910lm 1406.AA.25.927.xx
 (2x) 3000K - Ra90 - 9.3W - 950lm 1406.AA.25.930.xx
- 2x Bridgelux LED (350mA) - DALI dimmable**
 (2x) 2700K - Ra90 - 9.3W - 910lm 1406.AA.26.927.xx
 (2x) 3000K - Ra90 - 9.3W - 950lm 1406.AA.26.930.xx
- 2x Bridgelux LED (350mA) - Push dimmable**
 (2x) 2700K - Ra90 - 9.3W - 910lm 1406.AA.29.927.xx
 (2x) 3000K - Ra90 - 9.3W - 950lm 1406.AA.29.930.xx



Titan Box Surface Mounted Organic

- 2x Bridgelux LED (350mA) - non dimmable**
 (2x) 2700K - Ra90 - 9.3W - 910lm 1407.AA.24.927.xx
 (2x) 3000K - Ra90 - 9.3W - 950lm 1407.AA.24.930.xx
- 2x Bridgelux LED (350mA) - 1-10V dimmable**
 (2x) 2700K - Ra90 - 9.3W - 910lm 1407.AA.25.927.xx
 (2x) 3000K - Ra90 - 9.3W - 950lm 1407.AA.25.930.xx
- 2x Bridgelux LED (350mA) - DALI dimmable**
 (2x) 2700K - Ra90 - 9.3W - 910lm 1407.AA.26.927.xx
 (2x) 3000K - Ra90 - 9.3W - 950lm 1407.AA.26.930.xx
- 2x Bridgelux LED (350mA) - Push dimmable**
 (2x) 2700K - Ra90 - 9.3W - 910lm 1407.AA.29.927.xx
 (2x) 3000K - Ra90 - 9.3W - 950lm 1407.AA.29.930.xx

28° Reflector: 0000.28.00.000.00
 40° Reflector: 0000.40.00.000.00



Titan Box Surface Mounted Anti-glare

- 2x Bridgelux LED (350mA) - non dimmable**
 (2x) 2700K - Ra90 - 9.3W - 910lm 1408.AA.24.927.xx
 (2x) 3000K - Ra90 - 9.3W - 950lm 1408.AA.24.930.xx
- 2x Bridgelux LED (350mA) - 1-10V dimmable**
 (2x) 2700K - Ra90 - 9.3W - 910lm 1408.AA.25.927.xx
 (2x) 3000K - Ra90 - 9.3W - 950lm 1408.AA.25.930.xx
- 2x Bridgelux LED (350mA) - DALI dimmable**
 (2x) 2700K - Ra90 - 9.3W - 910lm 1408.AA.26.927.xx
 (2x) 3000K - Ra90 - 9.3W - 950lm 1408.AA.26.930.xx
- 2x Bridgelux LED (350mA) - Push dimmable**
 (2x) 2700K - Ra90 - 9.3W - 910lm 1408.AA.29.927.xx
 (2x) 3000K - Ra90 - 9.3W - 950lm 1408.AA.29.930.xx

Available colors: 0000.00.00.000.xx
 Other RAL colors on request



Titan Box

Suspended

Type	Downlight
Mounting	Suspended
Material	Aluminium
Adjustability	Cardanic/Gimble
EL. class / IP	Class I / IP20

Bridgelux Vero 10 LED

LED Modules included

Driver included

CCT 2700K / 3000K / 4000K

CRI Ra80 / Ra90

Luminous flux 2700K - Ra90: 910lm (94lm/W)

3000K - Ra90: 950lm (99lm/W)

4000K on request

Beam angle 28° / 40°

Power 9.3W

Current 350mA

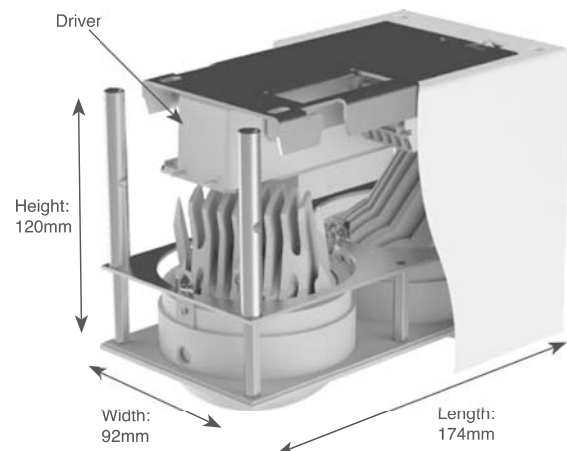
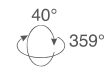
Forward voltage 23.4V (min.) - 26.5V (typ.) - 29.4V (max.)

Cooling Passive (no fan)

SDCM 3

5 Year **Bridgelux** Warranty⁽¹⁾

⁽¹⁾ Limited warranty. More information on p.210

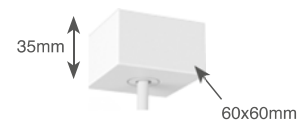


Surface connecting box (included in suspended version):

Strain relief integrated

Box comes in the same color as the luminaire housing

Black or white cable 2100mm





Titan Box Suspended

Cone

- 2x Bridgelux LED (350mA) - non dimmable**
 (2x) 2700K - Ra90 - 9.3W - 910lm 1410.AA.24.927.xx
 (2x) 3000K - Ra90 - 9.3W - 950lm 1410.AA.24.930.xx
- 2x Bridgelux LED (350mA) - 1-10V dimmable**
 (2x) 2700K - Ra90 - 9.3W - 910lm 1410.AA.25.927.xx
 (2x) 3000K - Ra90 - 9.3W - 950lm 1410.AA.25.930.xx
- 2x Bridgelux LED (350mA) - DALI dimmable**
 (2x) 2700K - Ra90 - 9.3W - 910lm 1410.AA.26.927.xx
 (2x) 3000K - Ra90 - 9.3W - 950lm 1410.AA.26.930.xx
- 2x Bridgelux LED (350mA) - Push dimmable**
 (2x) 2700K - Ra90 - 9.3W - 910lm 1410.AA.29.927.xx
 (2x) 3000K - Ra90 - 9.3W - 950lm 1410.AA.29.930.xx



Titan Box Suspended

Organic

- 2x Bridgelux LED (350mA) - non dimmable**
 (2x) 2700K - Ra90 - 9.3W - 910lm 1411.AA.24.927.xx
 (2x) 3000K - Ra90 - 9.3W - 950lm 1411.AA.24.930.xx
- 2x Bridgelux LED (350mA) - 1-10V dimmable**
 (2x) 2700K - Ra90 - 9.3W - 910lm 1411.AA.25.927.xx
 (2x) 3000K - Ra90 - 9.3W - 950lm 1411.AA.25.930.xx
- 2x Bridgelux LED (350mA) - DALI dimmable**
 (2x) 2700K - Ra90 - 9.3W - 910lm 1411.AA.26.927.xx
 (2x) 3000K - Ra90 - 9.3W - 950lm 1411.AA.26.930.xx
- 2x Bridgelux LED (350mA) - Push dimmable**
 (2x) 2700K - Ra90 - 9.3W - 910lm 1411.AA.29.927.xx
 (2x) 3000K - Ra90 - 9.3W - 950lm 1411.AA.29.930.xx

28° Reflector: 0000.28.00.000.00
 40° Reflector: 0000.40.00.000.00



Titan Box Suspended

Anti-glare

- 2x Bridgelux LED (350mA) - non dimmable**
 (2x) 2700K - Ra90 - 9.3W - 910lm 1412.AA.24.927.xx
 (2x) 3000K - Ra90 - 9.3W - 950lm 1412.AA.24.930.xx
- 2x Bridgelux LED (350mA) - 1-10V dimmable**
 (2x) 2700K - Ra90 - 9.3W - 910lm 1412.AA.25.927.xx
 (2x) 3000K - Ra90 - 9.3W - 950lm 1412.AA.25.930.xx
- 2x Bridgelux LED (350mA) - DALI dimmable**
 (2x) 2700K - Ra90 - 9.3W - 910lm 1412.AA.26.927.xx
 (2x) 3000K - Ra90 - 9.3W - 950lm 1412.AA.26.930.xx
- 2x Bridgelux LED (350mA) - Push dimmable**
 (2x) 2700K - Ra90 - 9.3W - 910lm 1412.AA.29.927.xx
 (2x) 3000K - Ra90 - 9.3W - 950lm 1412.AA.29.930.xx

Available colors: 0000.00.00.000.xx
 Other RAL colors on request

