

PIVOT-IN

LED ADJUSTABLE RETRACTABLE DOWNLIGHT
CYLINDRICAL



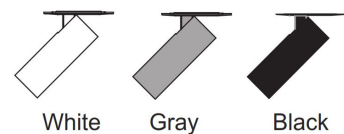
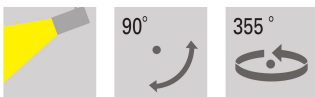
description

Features

- Adjustable rotating angle 355°
- Adjustable Tilt angle 90°
- Operating temperature -20° to +40°C

Options

- 90 CRI (special request)



technical information

Type	PIVOT-IN-35	PIVOT-IN-60
Diameter (mm)	Ø35 mm	Ø60 mm
Wattage (watt)	7 WATT	24 WATT
Colour Temp	3000K	3000K
Efficacy	451 lm	2676 lm
CRI	80 CRI	80 CRI
OPTICS	NA	25° / 35° / 47°

ordering information

FITTING	COLOUR TEMP	OPTIC	FINISH	DIMMING
PIVOT-IN-35	27K Very Warm (2700K)	25D 25° Beam	WH Matte White	ND Non-Dim
PIVOT-IN-60	3K Warm (3000K)	35D 35° Beam	BK Matte Black	PC Mains-Dim
	4K Neutral (4000K)	45D 45° Beam	GR Gray	DALI

Specifications and Dimensions subject to change without notice
Consult your representative for additional options and finishes

PIVOT-IN

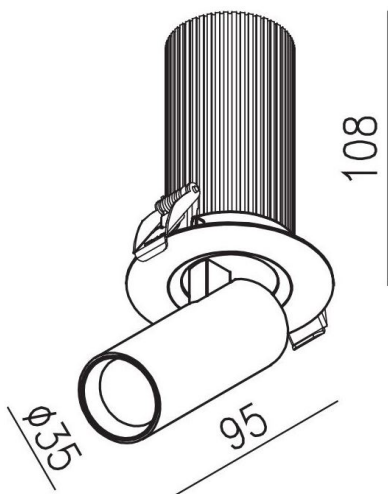
LED ADJUSTABLE RETRACTABLE DOWNLIGHT
CYLINDRICAL



PIVOT-IN-35



Ø77

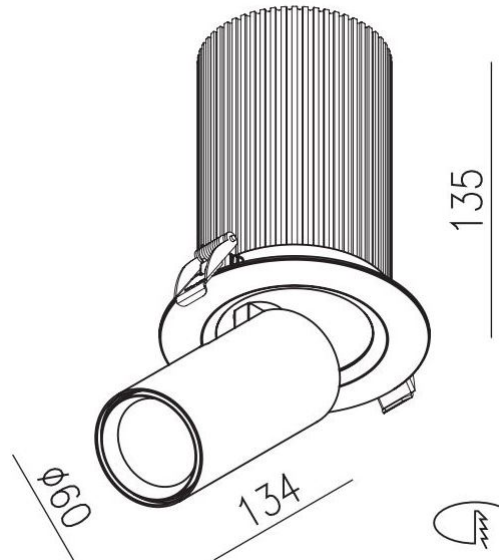


Ø 67 mm

PIVOT-IN-60



Ø107



Ø 96 mm