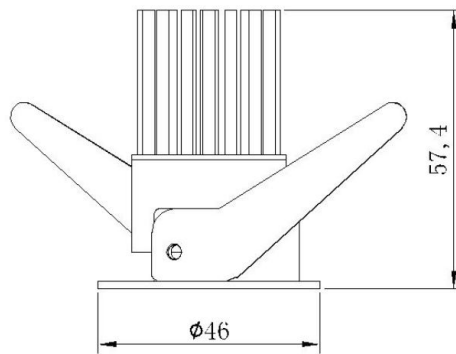


# APH-MINI

RECESSED MINI LED DOWNLIGHT  
Round Adjustable Slotted Hole



CUT OUT



## description

### Aiming

Adjustable downlight with 25° optic options

### Colour Temperature Options

- 2700K - V Warm White
- 3000K - Warm White
- 4000K - Neutral White

### Special Features

Deep recessed LED position for glare control

### Effects Devices

Designed to accept 2 additional effects devices

### Trim plate

Plaster ceiling installation with proud trim

### Retention

Spring clips accommodate varying ceiling thicknesses and ensure snug fit against ceiling.

## technical information

lamp module	CREE	
Wattage	3.5 watt	5 watt
Colour Temp	3000K	3000K
Output	260 lm	350 lm
Efficacy	75 lm/w	70 lm/w
Colour Rendering	80 CRI	80CRI

•Other wattages & colour temperatures are available upon request

## ordering information

FITTING	WATTAGE	COLOUR TEMP	OPTICS	FINISH COLOUR
<b>APH-MINI</b>	3.5 (Watts) 5 (Watts)	27K V Warm White (2700K) 3K Warm White (3000K) 4K Neutral White (4000K)	25D 25 Degree	WH Matte White BK Matte Black ** IP44 rated also available

Specifications and Dimensions subject to change without notice  
Consult your representative for additional options and finishes